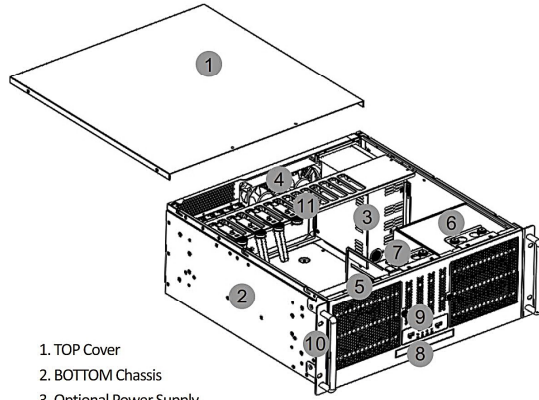


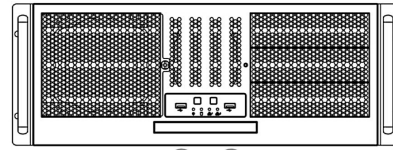
Quick Assembly Guide

YY-R44500 Components Assembly and Placement



1. TOP Cover
2. BOTTOM Chassis
3. Optional Power Supply
4. Optional 8cm Fans, Rear exhaust
5. Optional 12cm Fan/Dust Filter, Blow in air for Add-on Card Zone
6. 3bays-5.25" Drive Cage
7. 4bays-3.5" Drive Cage
8. Slim ODD Drive Cage
9. Front Panel IO and Indicators
10. EIA-310 Rack Handles
11. Optional Add-on-Card Retainer Clamp

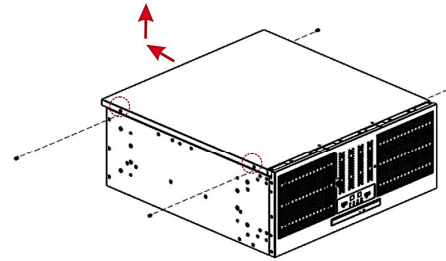
Front Panel IO and Indicators



1. Power on Switch
2. System Reset Switch
3. USB 2.0 x 2ports (USB 3.0 is optional)
4. Power on LED (Blue)
5. HDD Activity (Green)
6. Lan1 LED (Green)
7. Lan2 LED (Green)

Removing the Top Cover

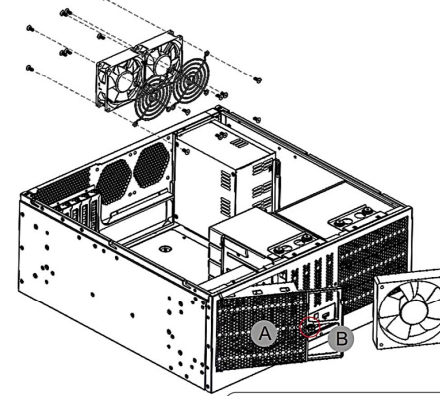
1. Release 2-screws of the Top Cover on each side
2. Push the Top Cover backward about 1" and lift it off the chassis



Cooling Fan / Dust Filter Maintenance

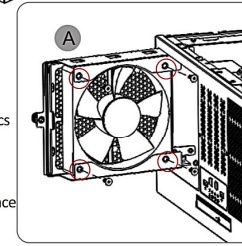
Optional 8cm Fans, Rear Exhaust

1. Place the 80x25mm fan to the rear plate of chassis
2. Fix the cooling fan and wire guard by screws



Optional 12cm Fan

1. Loose the thumb screw and pull the fan/filter bracket (A)
2. Fix the 120x25mm cooling fan with 4pcs screws



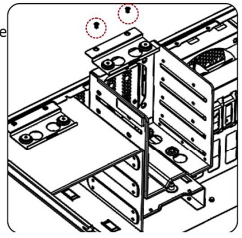
Dust Filter Maintenance

Pull out the Dust Filter (B) for maintenance

4bays-3.5" HDD Cage and Cooling Fan Assembly

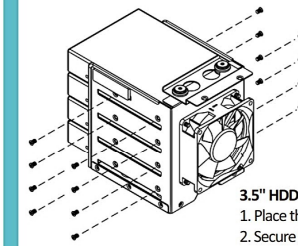
How to remove the Drive Cage

1. Loose 2 screw and lift off the drive cage
2. Once Hard Drive assembled, secure the Drive Cage back with the same 2-screws.



Optional Cooling Fan assembly

Fix 80x25mm fan with 4-screws



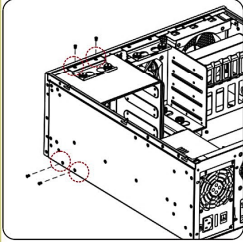
3.5" HDD assembly

1. Place the HDD in the drive bay
2. Secure HDD with screws (4pcs-6#32x6mm)

3bays-5.25" Drive Cage Assembly

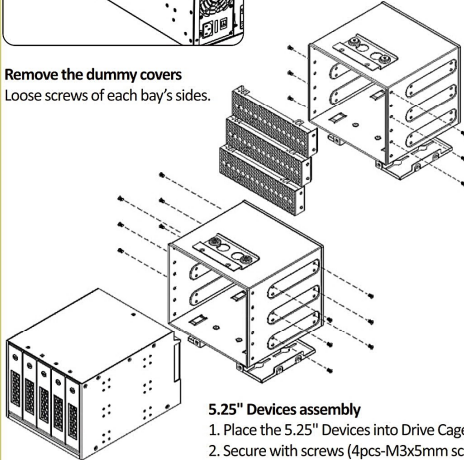
How to remove the Drive Cage

1. Loose 2-screws on the chassis' side
2. Loose 2-screws on the top and lift off the drive cage
3. Once devices assembled, secure the Drive Cage back with the same 4-screws.



Remove the dummy covers

Loose screws of each bay's sides.



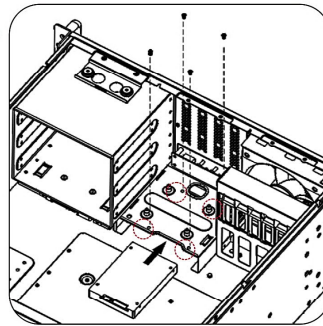
5.25" Devices assembly

1. Place the 5.25" Devices into Drive Cage
2. Secure with screws (4pcs-M3x5mm screws for each bay)

2.5" Drive Cage Assembly

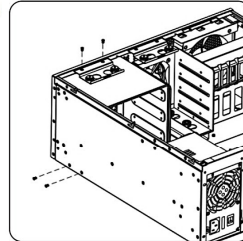
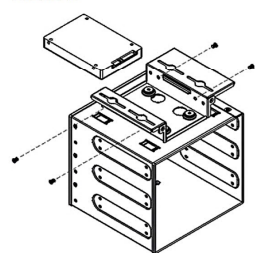
The slim ODD Drive Cage can be used as a 2.5" drive cage alternatively

1. Insert the 2.5" device into the drive bay
2. Secure the device with 4pcs screws on the top.

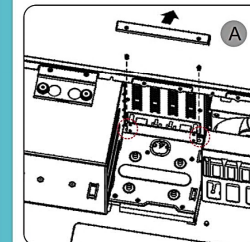


The 2.5" Drive Bay underneath 3bays-5.25" Drive Cage

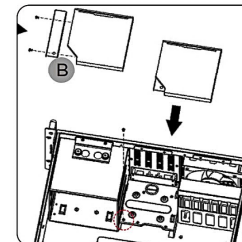
1. Remove the 3bays-5.25" Drive Cage from the chassis as the previous step illustrated.
2. Insert the 2.5" device into the 2.5" bay
3. Secure the device with 4pcs screws on two sides.



Slim ODD Cage Assembly



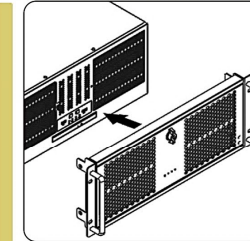
Remove the Slim ODD Blank Cover (A)
Loose 2-screws and remove the blank cover



Slim ODD Assembly

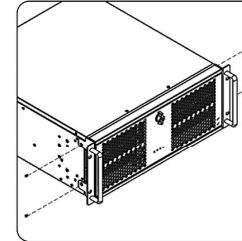
1. Fix the slim ODD bracket (B) with slim ODD with 2pcs screws
2. Insert and secure the Slim ODD Assembly into the drive bay with 1-screw

Optional Front Door Assembly

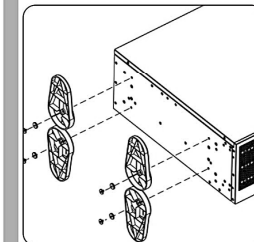


Move the Handle Rack Ears

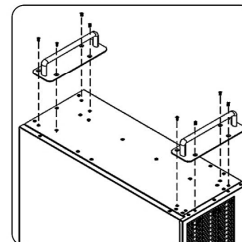
1. Loose 4-screws of Handle Rack on each side of chassis, remove the handle rack ear
2. Secure the Handle Rack Ear with 2-screws to the Front Door on each side
3. Secure the Front Door (with Handle Rack Ear) to chassis with 2-screws on each side.



Optional Pedestal Foot Stand / Tower Handle Assembly



Align the foot stands mounting hole on chassis and secure with 1-screw/washer.



Align the tower handles mounting hole on chassis and secure with 8-screws.

Rack Mounting with the Optional Rails

Overview

There are a variety of rack units and slides rails on the market, which means the assembly procedure may be different, user should also refer to the installation instructions that came with the Rack Unit and Rails.

About the Mounting holes for Slide Rails

The chassis come with (2 layers mounting holes for slide rails) which could be alternatively used depending on the Mounting Brackets which shall be included in the optional rails or the rack mounting kits.

Separating the sections of the Slide Rails

The optional rails package includes 2 rail assemblies, each assembly consists of:
(1) an inner rail that shall be secured directly to the chassis
(2) an outer extending rails that shall be secured directly to the rack. The outer extending rails shall assembly with the Mounting Brackets which is available to correctly position the slide rail relative to the cabinet mounting rails pattern.