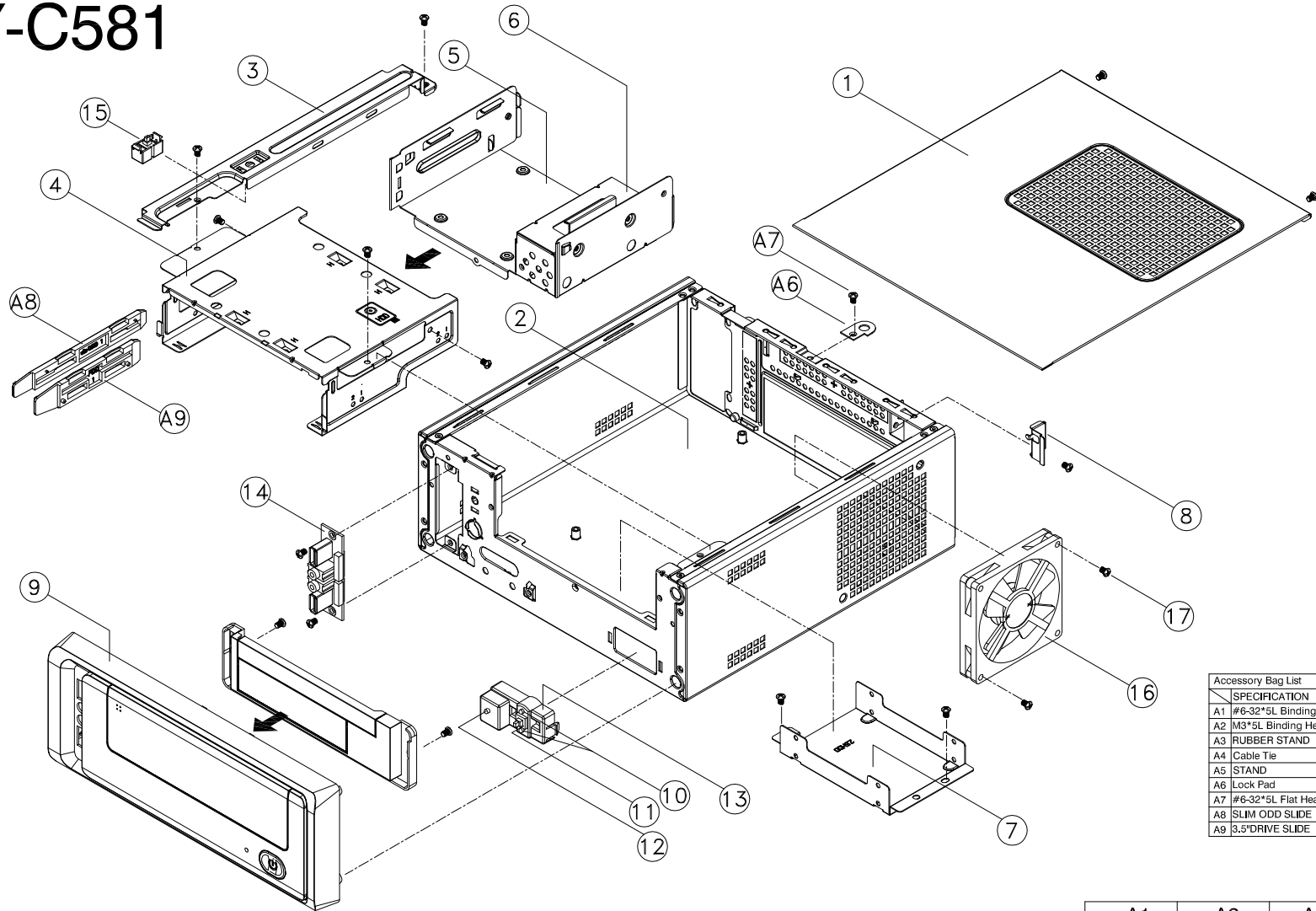


YY-C581

Item	Part Name	Q'TY	Part Code
1.	TOP COVER	1	H1201-C5XX1
2.	CHASSIS ASSEMBLY	1	H1203-C5XX1
3.	SUPPORT BAR	1	HO224-C5061
4.	ODD CAGE A	1	HO206-C5061
5.	CAGE B	1	HO206-C5062
6.	CAGE B BRACKET	1	HO211-C5062
7.	2.5"HDD CAGE	1	HO205-C5061
8.	PCI SLOT COVER	1	HO211-C5061
9.	FRONT PANEL SET C581	1	HO002-C5811
10.	POWER LED(2 Blue LED)	1	HO403-C5002
11.	POWER SW CABLE	1	HO401-C5001
12.	HDD LED(Orange LED)	1	HO412-C5001
13.	LED HOLDER	1	HO313-C5811
• 14.	USB WITH CABLE SET	1	HO805-R0021
• 15.	Intrusion sw+Holder	1	NO013-A2002
• 16.	FAN(80x80x15)	1	NO608-R0251
• 17.	FAN SCREW #5*6Lmm	2	H5401-33105

• Optional accessory



SPECIFICATION	Part Code	Q'TY	USE FOR...
A1 #6-32*5L Binding Head Screw	H5401-54051	8	M/B*4 & PSU*4
A2 M3*5L Binding Head Screw	H5404-14051	4	2.5"HDD*4 & ODD*4
A3 RUBBER STAND	H5703-00004	4	
A4 Cable Tie	H0380-00002	1	80mm
A5 STAND	NO018-73XX1	4	OPTIONAL
A6 Lock Pad	NO214-55101	1	
A7 #6-32*5L Flat Head Screw	H5401-53052	1	
A8 SLIM ODD SLIDE	HO332-C5811	1	#1
A9 3.5"DRIVE SLIDE	HO332-C5812	1	#1

