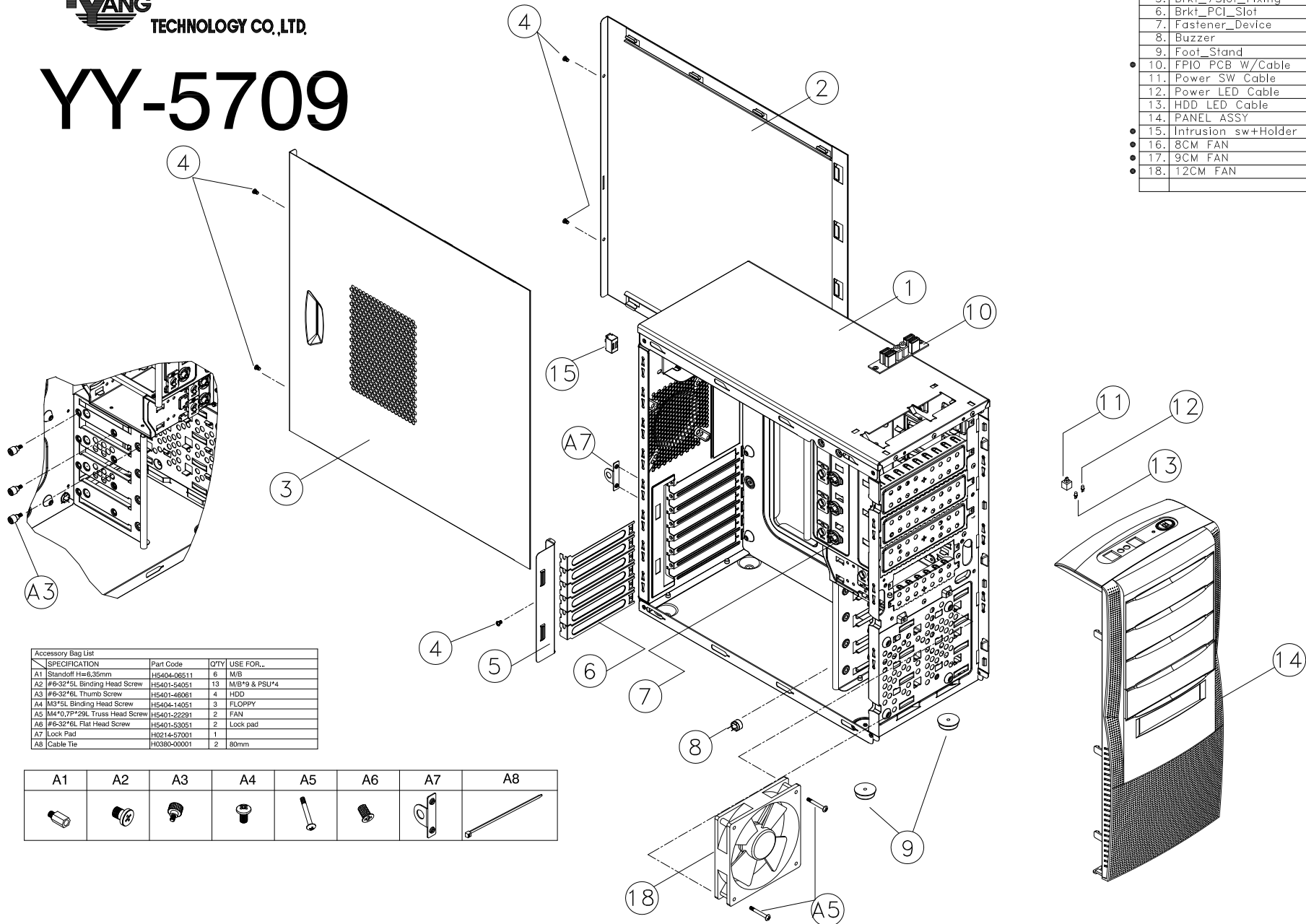




YEONG YANG TECHNOLOGY CO., LTD.

YY-5709



| Item | Part Name | Q'TY | Part Code |
|-------|-----------------------|------|-------------|
| 1. | Chassis Assembly | 1 | H0225-57002 |
| 2. | Cover,Right | 1 | H1202-57002 |
| 3. | Cover,Left(TAC2.0) | 1 | H1202-57003 |
| 4. | #6-32*5L Binding Head | 5 | H5401-54051 |
| 5. | Brkt_7Slot_Fixing | 1 | H0211-57002 |
| 6. | Brkt_PCI_Slot | 6 | H0207-A2061 |
| 7. | Fastener_Device | 5 | H0381-57001 |
| 8. | Buzzer | 1 | H0503-00301 |
| 9. | Foot_Stand | 2 | H5703-00002 |
| • 10. | FPIO PCB W/Cable | 1 | H0805-R0036 |
| 11. | Power SW Cable | 1 | H0401-57701 |
| 12. | Power LED Cable | 1 | H0403-36701 |
| 13. | HDD LED Cable | 1 | H0412-57701 |
| 14. | PANEL ASSY | 1 | H0002-57091 |
| • 15. | Intrusion sw+Holder | 1 | N0013-56023 |
| • 16. | 8CM FAN | 1 | N0608-R0501 |
| • 17. | 9CM FAN | 1 | N0609-R0501 |
| • 18. | 12CM FAN | 1 | N0612-R0702 |

• Optional accessory

| SPECIFICATION | Part Code | Q'TY | USE FOR... |
|---------------------------------|-------------|------|---------------|
| A1 Standoff H=6,35mm | H5404-06511 | 6 | M/B |
| A2 #6-32*5L Binding Head Screw | H5401-54051 | 13 | M/B*9 & PSU*4 |
| A3 #6-32*6L Thumb Screw | H5401-46061 | 4 | HDD |
| A4 M3*5L Binding Head Screw | H5404-14051 | 3 | FLOPPY |
| A5 M4*7,7P*29L Truss Head Screw | H5401-22291 | 2 | FAN |
| A6 #6-32*6L Flat Head Screw | H5401-53051 | 2 | Lock pad |
| A7 Lock Pad | H0214-57001 | 1 | |
| A8 Cable Tie | H0380-00001 | 2 | 80mm |

