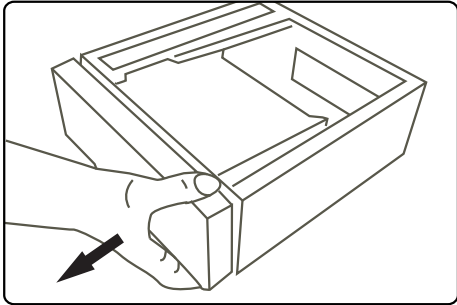


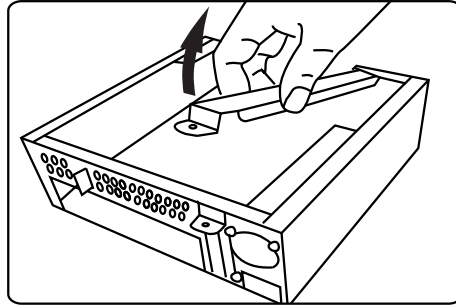
Quick Guide

1 ⇒ **Open top cover**
Loose 2 screws; pull and lift up the top cover



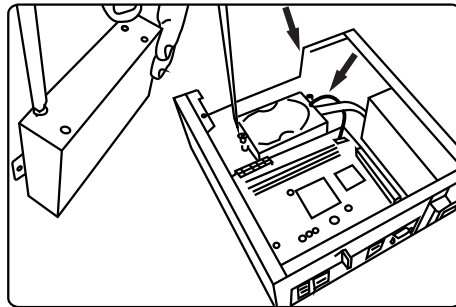
2 ⇒ **Remove Front Bezel**
Forced pulling the bezel

4 ⇒ **Remove Support Bar**
Loose 1 screw; lift bar up

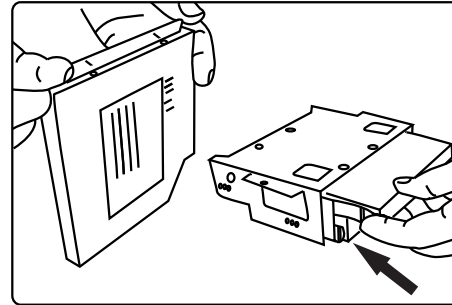


5 ⇒ **MB and Add-in-card**
Insert I/O shield; fix M/B by 6#32 screws

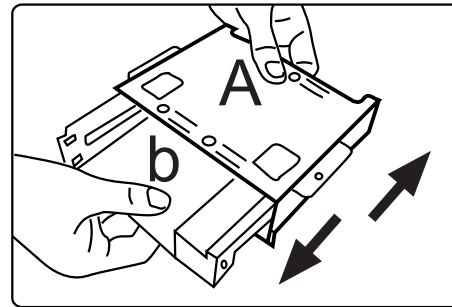
6 ⇒ **2.5" HDD assembly**
Fix drive by M3 screws
Fix the cage by 6#32 screws



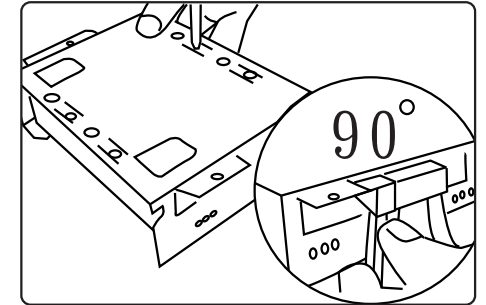
7 ⇒ **Slim ODD, 3.5" drive assembly**
Insert the slider to drive's left side; slide into cage
Fix the cage as 3 ⇒ reversed



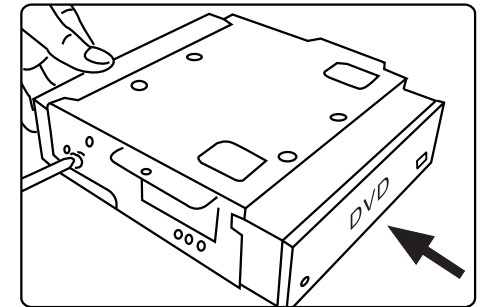
8 ⇒ **About cage A**
Loose screws and separate cage A and cage B



9 ⇒ **3.5" HDD Assembly**
Up side down the drive; fix drive by 6#32 screws.
Fix the cage as 3 ⇒ reversed
[note] SATA cable's connector must be right-angled



10 ⇒ **5.25" ODD Assembly**
Fix drive by M3 screws
Fix the cage as 3 ⇒ reversed



⇒ use cage A ⇒ 9 & 10