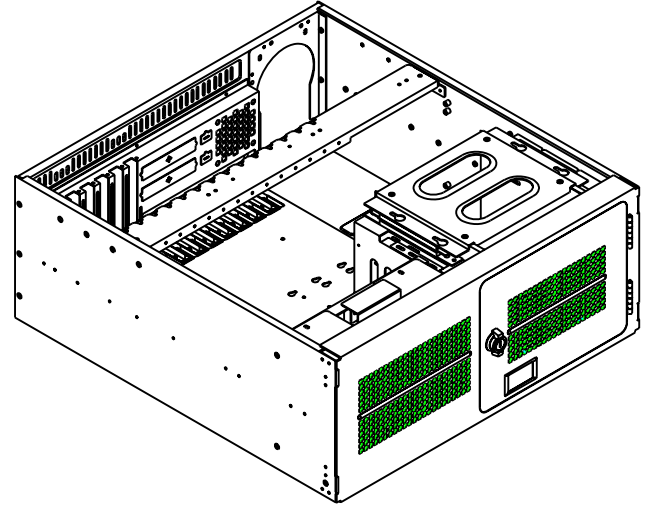
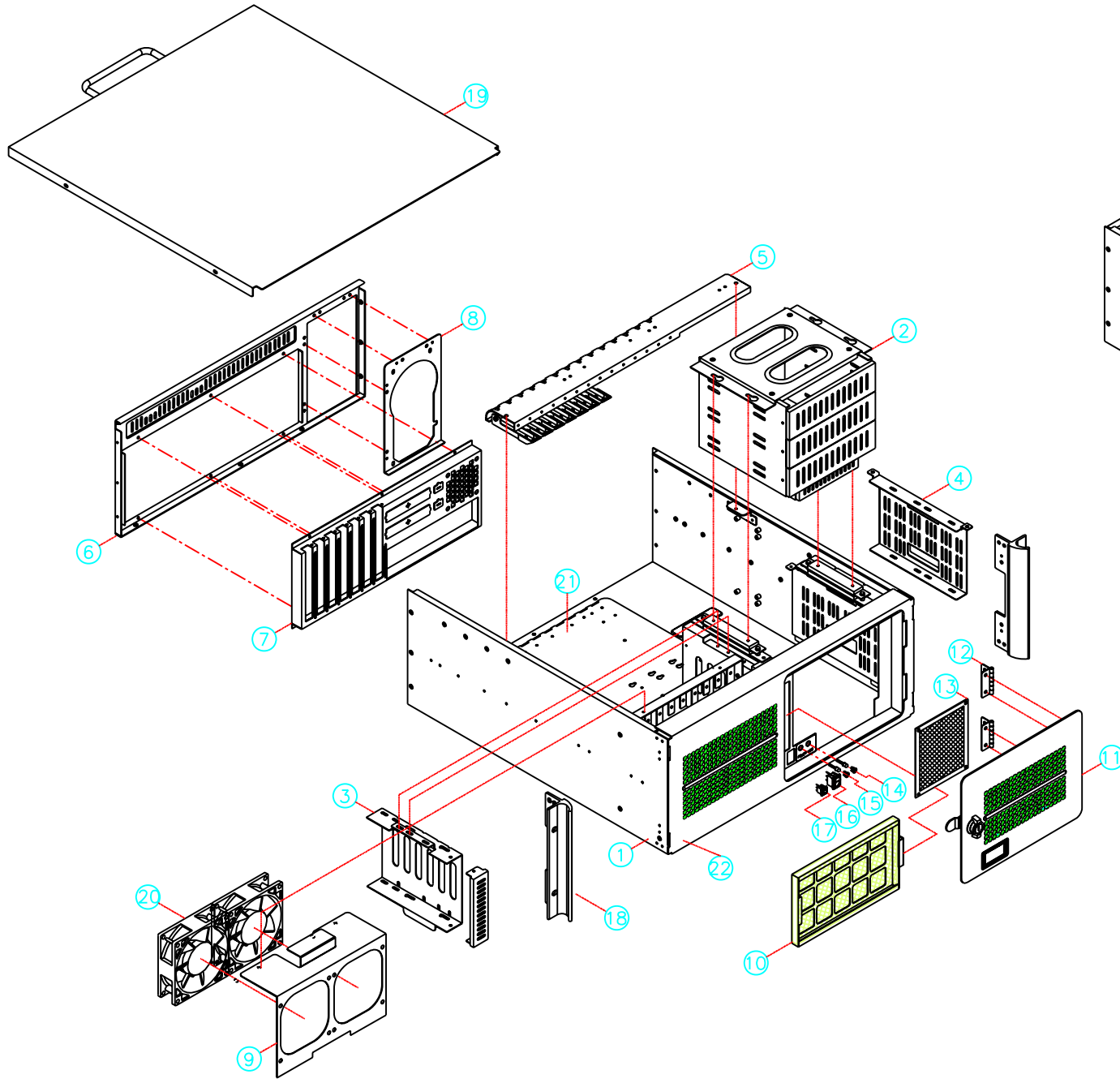


REV.		REVISIONS		DESIGNER	DATE
REV.		DESCRIPTION			
1	A				



Item	Part Name	Q'TY	Part Code
1.	R425_CHASSIS	1	2203-R4121
2.	DRIVER BAY ASSEMBLY	1	0018-R4002
3.	HOLDER,FDD MTG	1	2205-R4101
4.	HOLDER-B,HDD MTG	1	2205-R4102
5.	CARD HOLD DOWN CLAMP	1	0018-R4221
6.	BACKPLANE_BRACKET	1	2223-R4121
7.	ATX I/O Bracket	1	2209-R4101
8.	PSU TRANSFER PLATE	1	2211-R4103
9.	FAN BRACKET	1	2211-R4121
10.	AIR FILTER	1	5501-R4001
11.	DOOR	1	2202-R4251
12.	DOOR LATCH	2	5515-R4221
13.	AIR FILTER-DOOR	1	5501-R4221
14.	H.D.D LED	1	0403-R4552
15.	POWER LED	1	0403-R4551
16.	POWER SWITCH	1	0401-R4551
17.	RESET SWITCH	1	0402-R4551
18.	HAND HOLDER	2	5507-R4221
19.	TOP COVER	1	2201-R4121
20.	90mm Fan	2	0609-R0501
21.	M/B PLATE	1	2208-R4101
22.	PANEL SPOT ASSY	1	2225-R4161

• Optional accessory

YY-R425

TITLE EXPLODE DRAW MODEL R422 1000-00000 1/1	DATE 20-11-10 DRAWN CHECKED APPROVED 1/1	1000-00000 1/1
---	---	-------------------