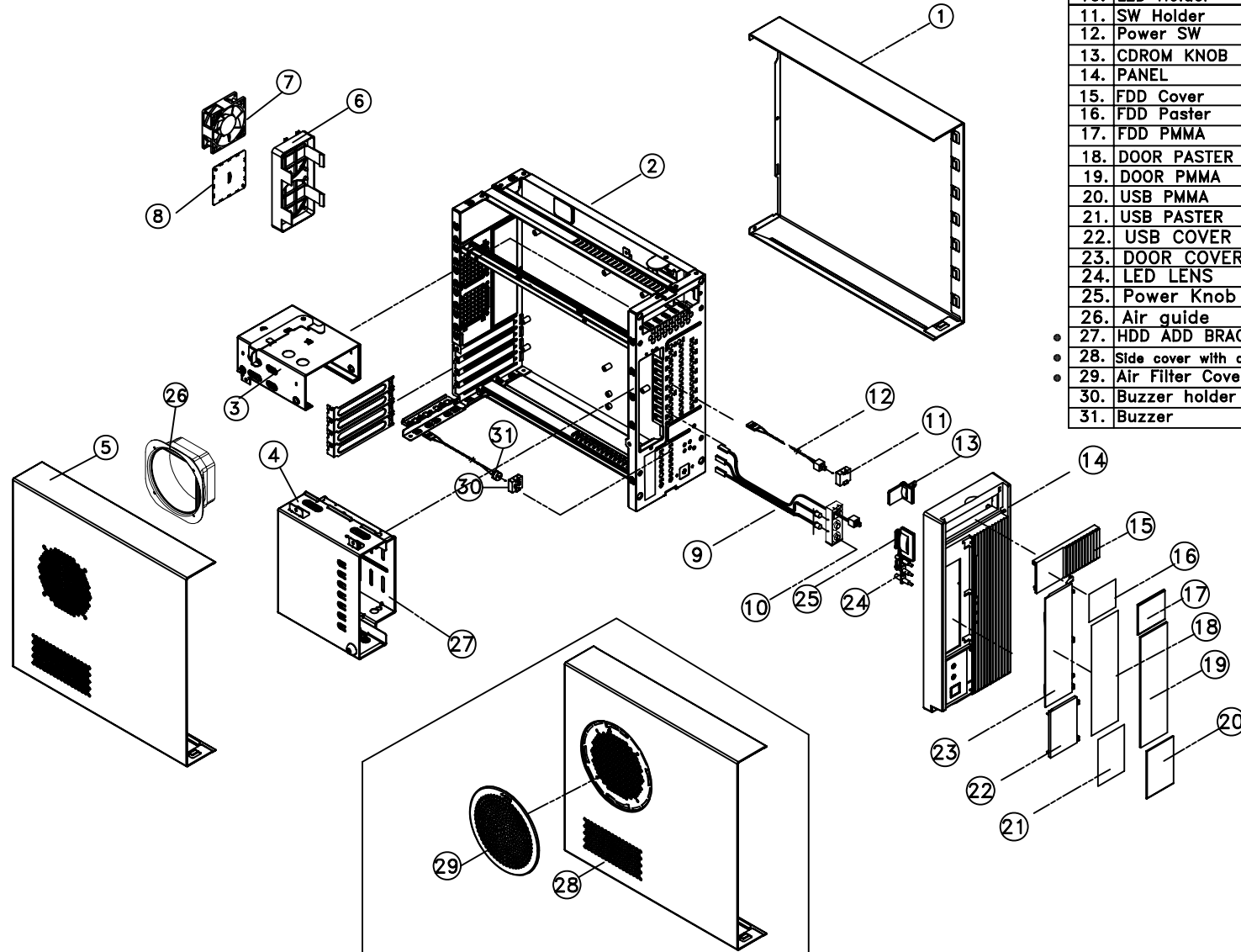




YY-A208



Item	Part Name	Q'TY	Remark
1.	Side cover	1	N0201-A2081
2.	Chassis	1	N0001-A2051
3.	3.5" driver bracket UNIT	1	N0018-A2001
4.	5.25" driver bracket	1	N0206-A2081
5.	Side cover(with holes)	1	N0201-A208A
6.	Fans BRACKET	1	N0323-A2002
• 7.	60mm Fan	1	0601-00003
8.	Shield	1	N0219-A1081
9.	LED&RESET SW	1	N0405-A2401
10.	LED Holder	1	N0313-92011
11.	SW Holder	1	N0316-92011
12.	Power SW	1	N0401-A2401
13.	CDROM KNOB	1	N0304-A1081
14.	PANEL	1	N0301-A1081
15.	FDD Cover	1	N0310-A1082
16.	FDD Paster	1	N5535-A1002
17.	FDD PMMA	1	N0310-A1088
18.	DOOR PASTER	1	N5535-A1001
19.	DOOR PMMA	1	N0308-A1084
20.	USB PMMA	1	N0310-A1087
21.	USB PASTER	1	N5535-A1003
22.	USB COVER	1	N0310-A1081
23.	DOOR COVER	1	N0308-A1081
24.	LED LENS	1	N0306-A1081
25.	Power Knob	1	N0303-A1081
26.	Air guide	1	N0018-A2XX1
• 27.	HDD ADD BRACKET	1	N0205-A2081
• 28.	Side cover with cleanable filter	1	N0201-A208G
• 29.	Air Filter Cover	1	N5501-00003
30.	Buzzer holder	1	N0316-00001
31.	Buzzer	1	N0503-00301

• Optional accessory