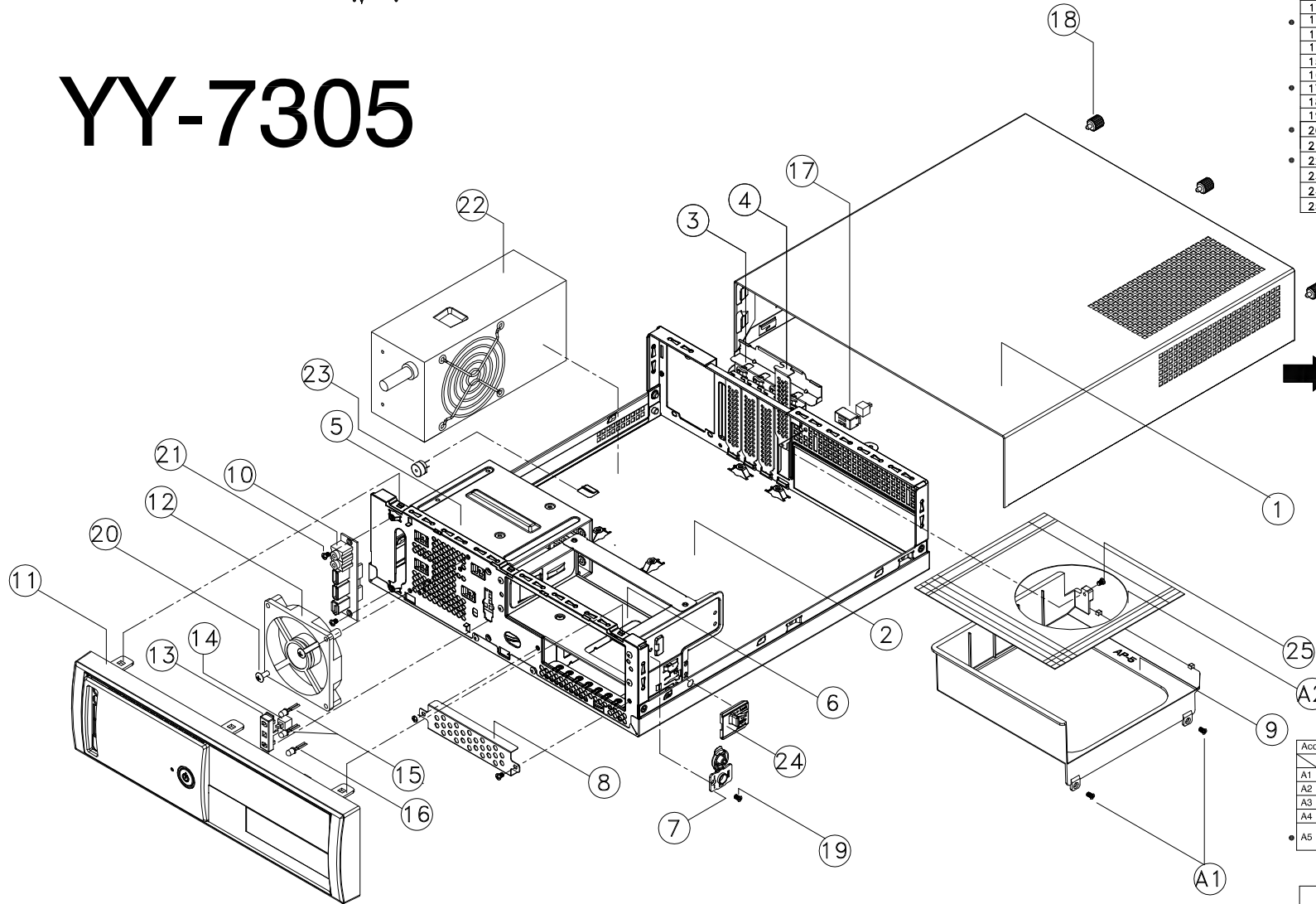




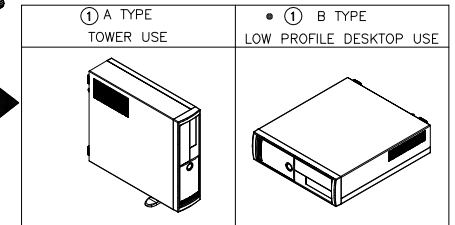
YEONG YANG TECHNOLOGY CO.,LTD.

# YY-7305

Item	Part Name	Q'TY	YY P/N
1.	TOP COVER(A TYPE or B TYPE)	1	N1201-73201
2.	CHASSIS ASSY	1	N0001-730X1
3.	PCI COVER	1	N0211-73061
4.	SLOT PLATE	4	N0207-73081
5.	HDD CAGE	1	N0205-73061
6.	ODD CAGE ASSY	1	N0118-730X2
7.	FASTENER for ODD CAGE*1pcs & HDD CAGE*2pcs	3	N0381-430X5
8.	3.5" EMI COVER	1	N0221-73061
9.	AIR PARTITION(AP-5)	1	N0330-73002
10.	USB WITH CABLE SET	1	N0805-54002
11.	FRONT PANEL SET 7305	1	N0002-73051
12.	FAN(80x80x15/60x60x15)	1	N0608-R0401
13.	LED HOLDER	1	N0313-73011
14.	POWER SW CABLE	1	N0401-73301
15.	POWER LED(2 BLUE LED)	1	N0403-73302
16.	HDD LED(ORANGE LED)	1	N0403-73303
17.	INTRUSION SWITCH WITH HOLDER	1	N0013-58023
18.	THUMB SCREW FOR TOP COVER	3	N5401-47062
19.	FLAT SCREW #6-32x3.3mm for FASTENER	3	N5401-53031
20.	FAN SCREW #M4*20L	2	N5401-22201
21.	PAN SCREW #6-32x5mm for USB*2pcs	2	N5401-54051
22.	TFX FORM FACTOR POWER SUPPLY	1	
23.	BUZZER	1	N0503-00301
24.	FASTENER FOR FDD	1	N0381-730X2
25.	AIR PARTITION SCREW	1	N5401-31062



● Optional accessory



● Optional accessory

Accessory Bag List			
SPECIFICATION	Part Code	QTY	USE FOR..
A1 #6-32*5L PAN Head Screw	N5401-54051	10	M/B*8 & AIR PARTITION*2
A2 ADHESIVE MYLAR	N5601-73001	1	MyIar-5
A3 RUBBER STAND	N5701-A1002	4	
A4 Cable Tie	N0380-00002	1	200mm
A5 STAND(SUGGEST TO BE USED WITH A TYPE TOP COVER)	N0018-730X1	2	OPTIONAL

