

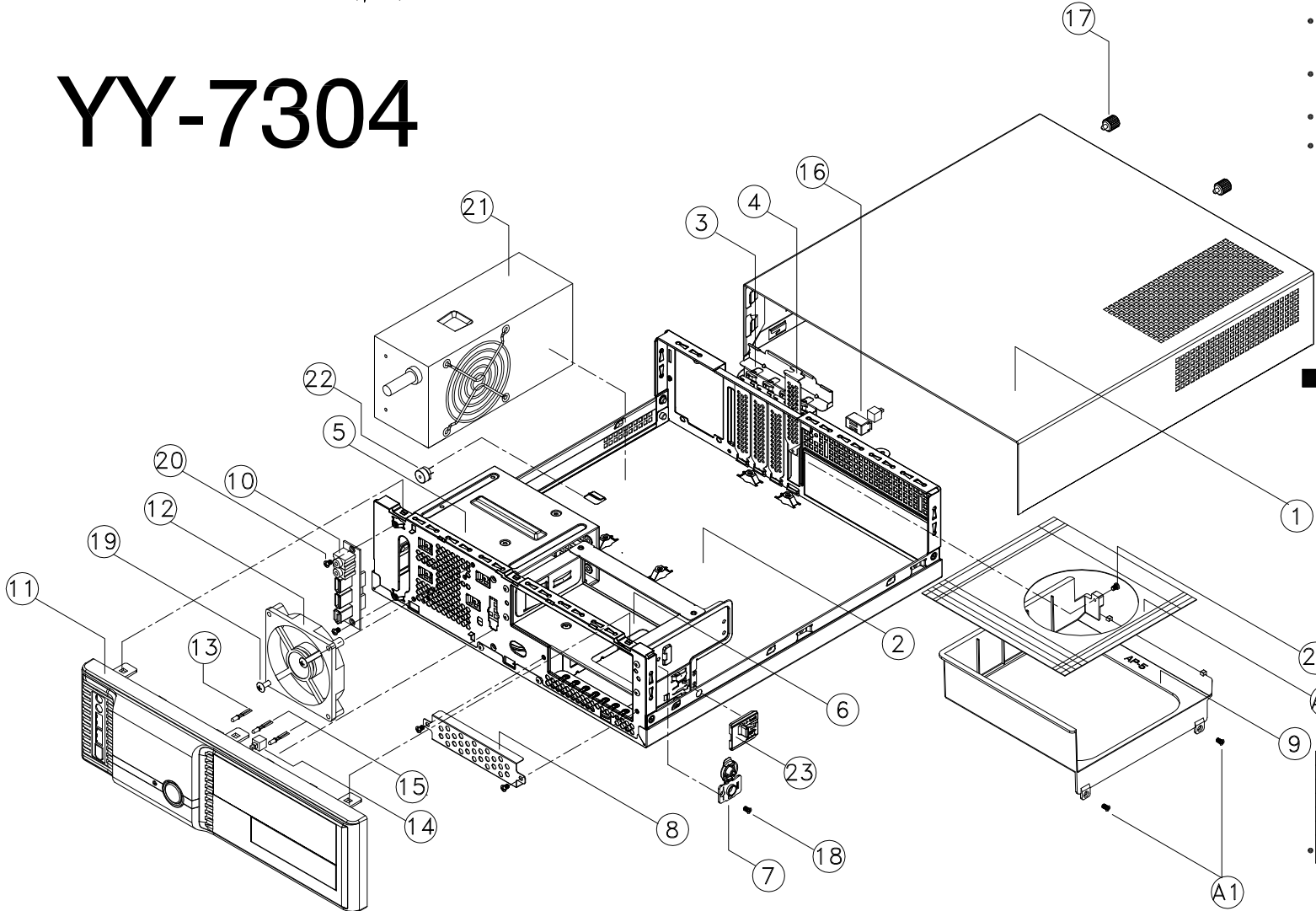
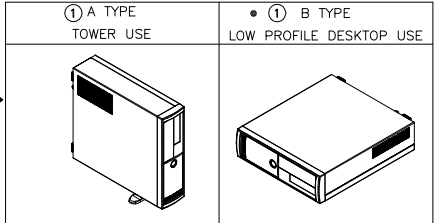


YEONG YANG TECHNOLOGY CO.,LTD.

# YY-7304

Item	Part Name	Q'TY	YY P/N
1.	TOP COVER(A TYPE or B TYPE)	1	N1201-73201
2.	CHASSIS ASSY	1	N0001-73001
3.	PCI COVER	1	N0211-73061
4.	SLOT PLATE	4	N0207-73081
5.	HDD CAGE	1	N0205-73061
6.	ODD CAGE ASSY	1	N0118-73032
7.	FASTENER for ODD CAGE*1pcs & HDD CAGE*2pcs	3	N0381-43025
8.	3.5" EMI COVER	1	N0221-73061
9.	AIR PARTITION(AP-5)	1	N0330-73002
10.	USB WITH CABLE SET	1	N0805-54002
11.	FRONT PANEL SET 7304	1	N0002-73042
12.	FAN(60x60x15)	1	N0606-R0401
13.	HDD LED(ORANGE LED)	1	N0403-73304
14.	POWER SW CABLE	1	N0401-73301
15.	POWER LED(2 BLUE LED)	1	N0403-73305
16.	INTRUSION SWITCH WITH HOLDER	1	N0013-58023
17.	THUMB SCREW FOR TOP COVER	3	N5401-47062
18.	FLAT SCREW #6-32x3.5mm for FASTENER	3	N5401-53031
19.	FAN SCREW M4*20L	2	N5401-22201
20.	PAN SCREW #6-32x5mm for USB*2pcs	2	N5401-54051
21.	TFX FORM FACTOR POWER SUPPLY	1	
22.	BUZZER	1	N0503-00301
23.	FASTENER FOR FDD	1	N0381-73002
24.	AIR PARTITION SCREW	1	N5401-31062

• Optional accessory



• Optional accessory

SPECIFICATION	Part Code	QTY	USE FOR..
A1 #6-32*5L PAN Head Screw	N5401-54051	10	M/B*8 & AIR PARTITION*2
A2 ADHESIVE MYLAR	N5601-73001	1	MyIar-5
A3 RUBBER STAND	N5701-A1002	4	
A4 Cable Tie	N0380-00002	1	200mm
A5 STAND(SUGGEST TO BE USED WITH A TYPE TOP COVER)	N0018-73001	2	OPTIONAL

