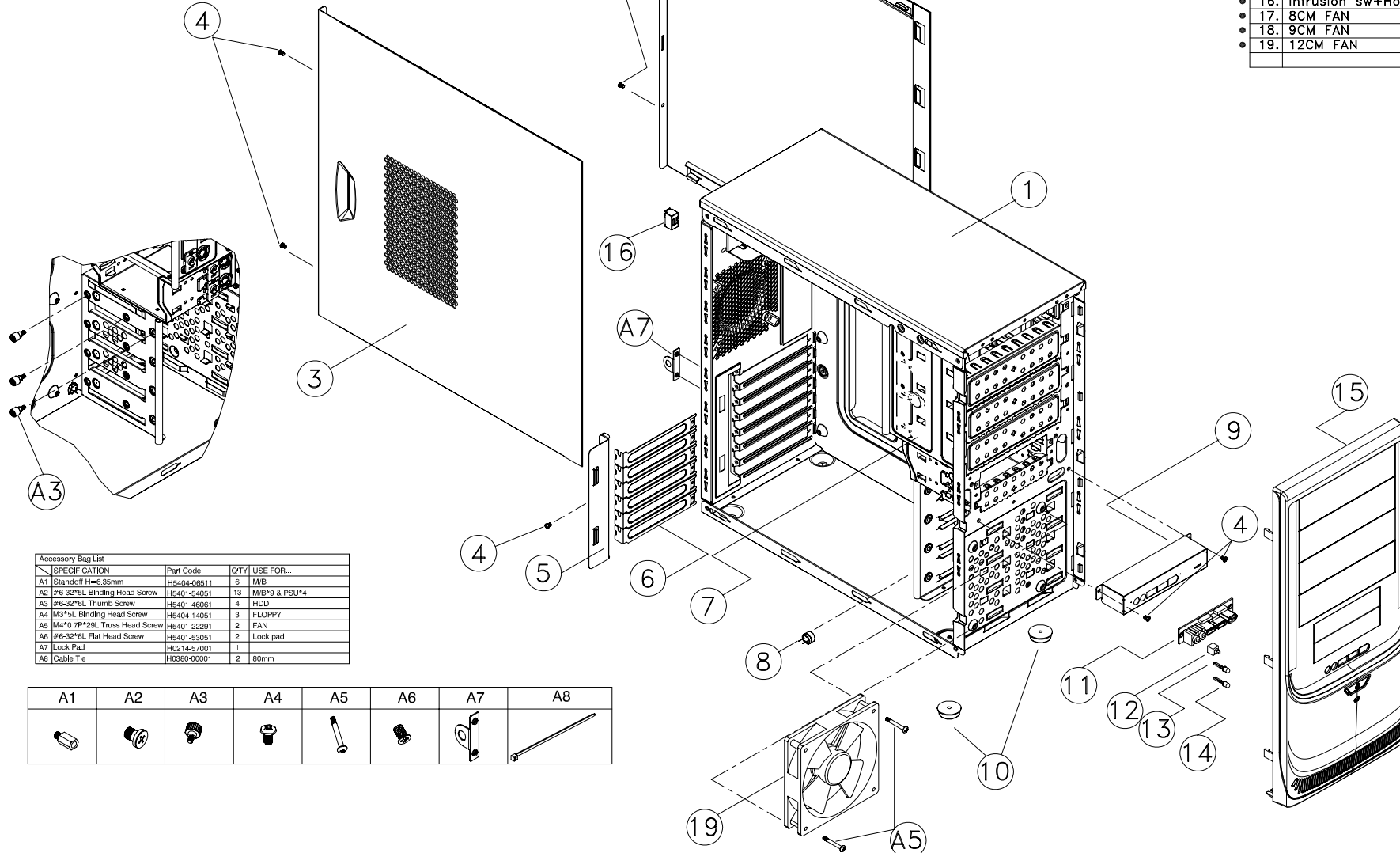




YEONG VANG TECHNOLOGY CO., LTD.

YY-5705



Item	Part Name	Q'TY	Part Code
1.	Chassis Assembly	1	H0225-57001
2.	Cover,Right	1	H1202-57002
3.	Cover,Left(TAC2.0)	1	H1202-57003
4.	#6-32*5L Binding Head	7	H5401-54051
5.	Brkt_7Slot_Fixing	1	H0211-57002
6.	Brkt_PCL_Slot	6	H0207-A2061
7.	Fastener_Device	5	H0381-57001
8.	Buzzer	1	H0503-00301
9.	USB Bracket	1	H0211-57051
10.	Foot Stand	2	H5703-00002
11.	FPIO PCB W/Cable	1	H0805-R0007
12.	Power SW Cable	1	H0401-57001
13.	Power LED Cable	1	H0403-36001
14.	HDD LED Cable	1	H0412-57001
15.	PANEL ASSY	1	H0002-57051
16.	Intrusion sw+Holder	1	N0013-56023
17.	8CM FAN	1	N0608-R0501
18.	9CM FAN	1	N0609-R0501
19.	12CM FAN	1	N0612-R0702

• Optional accessory

Accessary Bag List	Part Code	QTY	USE FOR...
A1 Standoff H=6.35mm	H5404-06511	6	M/B
A2 #6-32*5L Blinding Head Screw	H5401-54051	13	M/B*9 & PSU*4
A3 #6-32*6L Thumb Screw	H5401-46061	4	HDD
A4 M3*5L Binding Head Screw	H5404-14051	3	FLOPPY
A5 M4*0.7P*29L Truss Head Screw	H5401-22291	2	FAN
A6 #6-32*6L Flat Head Screw	H5401-53051	2	Lock pad
A7 Lock Pad	H0214-57001	1	
A8 Cable Tie	H0380-00001	2	80mm

